

Acoustic Geometry

123 Columbia Court North
Chaska, MN 55318

1-(888)-227-5645

www.acousticgeometry.com
sales@acousticgeometry.com

File No.

VOICE CURVE.DWG

Issue Date

3/29/2011

Revised

Drawn By

MTH

Checked By

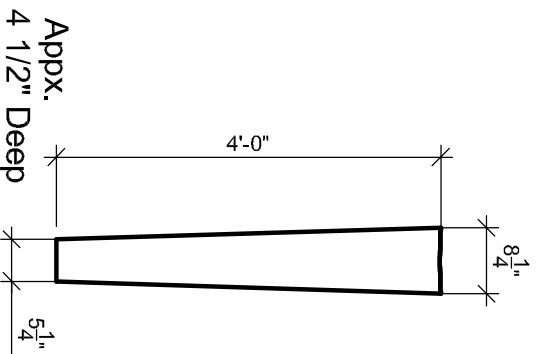
PROJECT

DRAWING TITLE

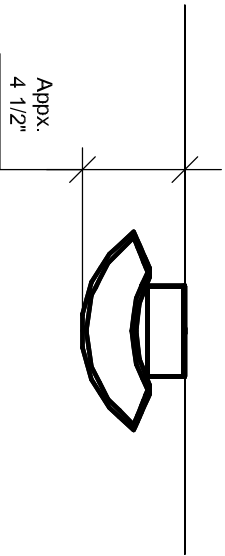
VOICE CURVE

DRAWING NO.

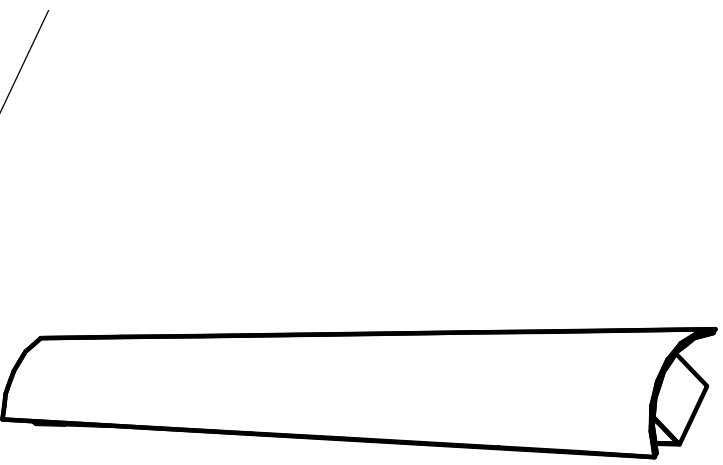
AG 2.0



1 FRONT ELEVATION
1/2"=1'-0"



2 PLAN VIEW
1-1/2"=1'-0"



3 PERSPECTIVE
N.T.S.